

Accessories: Mounting unit BOS 36-HW-1

Common Data

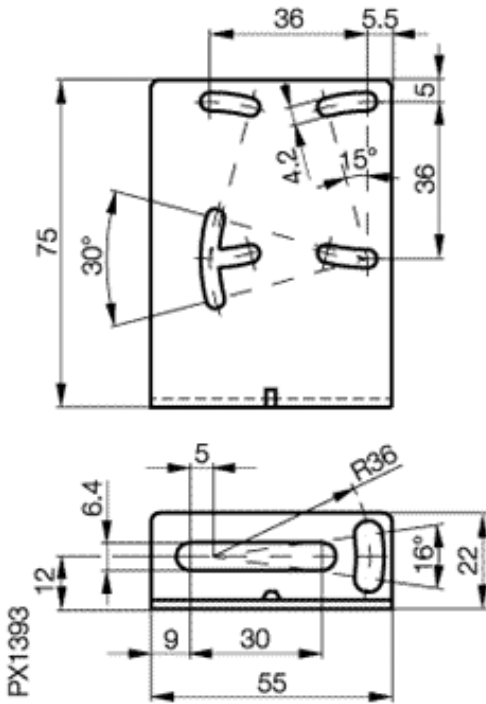
Version
Usable with

Mounting Bracket
for optosensors series BOS 36K

Mechanical Data

Measurements W x H x D or Dia x D
Mounting

75x55x22
screws



Datasheet number::

Definitions see general catalog.
If not otherwise noted, ratings according to
IEC 60947-5-2 (DIN EN60947-5-2)

Balluff GmbH
Schurwaldstrasse 9
73765 Neuhausen a.d.F.
Phone (07158) 173-0 Fax (07158) 5010

Datenblatt by CD-ROM - 04/2007

BALLUFF
sensors worldwide